



LIGHTFORCE HTX & HTX 24V

The Australian made HTX is the ultimate fusion of HID and LED technology, providing the instant flood of LED combined with the unmatched long-distance of HID. Our flagship product is now available in a 24 volt version that also includes a stainless steel top bracket for additional stability and reduced vibration.

FEATURES:

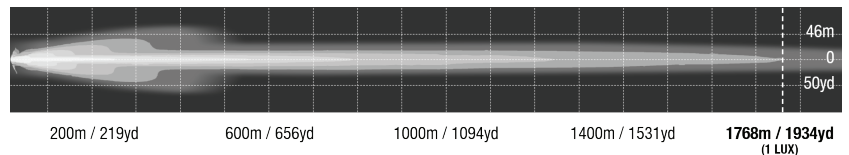
- 70W HID bulb within 170mm reflector
- 20 x Lumiled LEDs providing flood beam pattern
- Lightweight glass filled nylon composite housing
- Extruded aluminium for optimum heat dissipation
- IP69k rated to protect against moisture / contaminant ingress
- UV stable hard coated impact resistant polycarbonate lens
- Independently switched three mode operation for complete control
 - LED – for instant wide beam
 - HID – for long distance
 - Combine the two for ultimate visibility
- High current waterproof connector
- Genuine Gore® waterproof membrane with mechanical seal
- Over, under and reverse voltage protection / thermal overload protection
- 3 year warranty.

24V model shown with stabilising top bracket.

SPECIFICATIONS:

- Input voltage range: 18-30V DC
- LED power: 80W
- HID bulb: 70W
- Effective lumens: 8400
- Current draw: 6Amps @ 24V
- LED colour temperature: 5000K
- Matched HID colour temperature
- Input cable length: 450mm (17.71")
- Operating temperature: -40°C to 60°C
- Weight including bracket: 2.3kg (5.07lbs).

DATA FOR A PAIR OF LIGHTS:



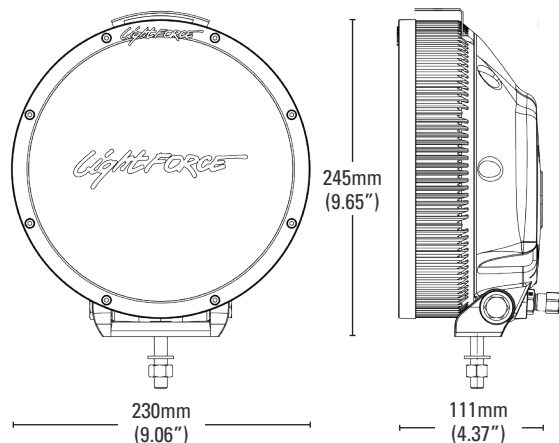
KIT INCLUSIONS:

- Lightforce HTX Driving Light (DL230) or HTX 24V Driving Light (DL23024V)
- Reversible mount and hardware
- Stabilising top bracket (24V version only)
- Matching 4 pin waterproof harness adaptor
- Installation instructions.

OPTIONAL ACCESSORIES:

- Anti theft nut kit (ATNSGHTX).

DIMENSIONS:



LightFORCE®

LIGHTFORCE.COM