

# LIGHTFORCE VENOM LED



Made in Australia, the compact high performance 75W Lightforce Venom LED boasts a massive 1 LUX @ 850m.

Like its big brother the Genesis LED, the Venom LED has reduced radio interference technology and is rated to IP69K to withstand the elements.

## FEATURES:

- 75W LED / 7850lm (raw) for industry leading output
- 21 x High quality Lumileds LEDs that provide consistent performance
- LED spot reflector with the ability to use a combination modular filter
- 66mm slim footprint that provides multiple mounting options
- 3 Stage Operation: Full intensity, day time, or night time positioning options
- Reverse polarity voltage protection and high current waterproof connectors
- CISPR25 compliant, reduced radio frequency interference technology
- Thermal overload protection, protects light from overheating
- Hard-wearing UV stable powder coat finish
- IP69K rated / Gore® waterproof membrane to protect against water & dust
- Pressure diecast aluminium housing and bezel providing lightweight strength
- Impact resistant polycarbonate filter for added protection.

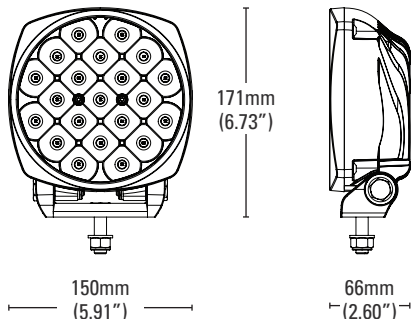
## SPECIFICATIONS:

- Power: 75 Watts / 150mm reflector array
- Raw lumens: 7850lm
- Effective lumens: 4407lm
- Input voltage range: 10 – 32V
- Current draw: 5.7 Amps @13.2V
- Colour temperature: 5000K
- LED lifespan: 50,000 hours
- Input cable length: 460mm
- Operating temperature: -40 to 63C
- Weight including bracket: 1.2kg.

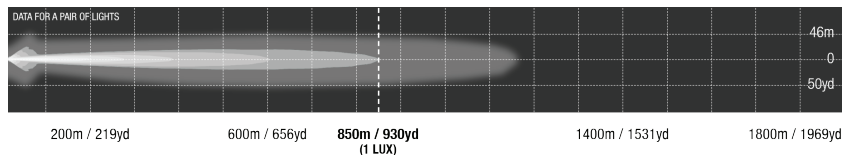
## OPTIONAL ACCESSORIES:

- Driving light harness with three stage switch operation and waterproof connectors (LFDLHTS)
- Anti theft kit (ATNSG2)
- Filters available in clear, crystal blue, amber & clear combo.

## DIMENSIONS:



## DATA FOR A PAIR OF LIGHTS:



## KIT INCLUSIONS:

- 1 x Venom LED light with fitted mounting bracket (DL150LED)
- 1 x Spot filter
- 1 x 4 pin high current waterproof harness adaptor
- 1 x Mounting hardware
- 1 x User instructions.

*LightFORCE*

LIGHTFORCE.COM