

LIGHTFORCE 240 BLITZ

The 240 BLITZ™ was our first true long distance light and established our reputation for high performance light intensity.

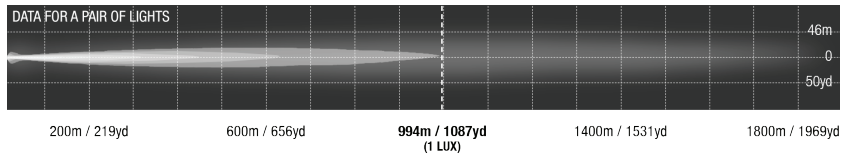
FEATURES:

- Ideal long distance performance light
- 12V 100 watt halogen Xenophot® 2000 hour bulb (24V halogen version available)
- Lightweight polycarbonate, glass filled nylon composite construction
- Gore® protective vent (IP57 / IP67 / IP68 / IP69K) to protect against moisture / contaminant ingress
- Focusable beam pattern (spot to wide)
- Compatible with the Lightforce modular filter system
- 3 year warranty.

HID:

- Characteristic aluminium hard anodised bulb holder
- 50W and 70W External ballast | Encapsulated for durability
- Long leads | Mount the ballast under the hood
- 12V or 24V DC operation
- 4200°K or 5000°K super white | Closer to daylight, white brighter
- Long life 3000 hour bulb
- Reverse polarity circuit protection.

DATA FOR A PAIR OF HALOGEN LIGHTS:



KIT INCLUSIONS:

- 2 x Blitz 12V Halogen Driving Lights (RMDL240), or
- 2 x Blitz 12V / 24V 50W HID Driving Lights (HID240T50W), or
- 2 x Blitz 12V / 24V 70W HID Driving Lights (CBHID240T7042)
- 2 x Spot filters
- 1 x User instructions.

Additional variations can be found at lightforce.com.

BLITZ HALOGEN DRIVING LIGHT (PAIR)

RRP **\$349** INC. GST

BLITZ 50W HID DRIVING LIGHT (PAIR)

RRP **\$699** INC. GST

BLITZ 70W HID DRIVING LIGHT (PAIR)

RRP **\$799** INC. GST

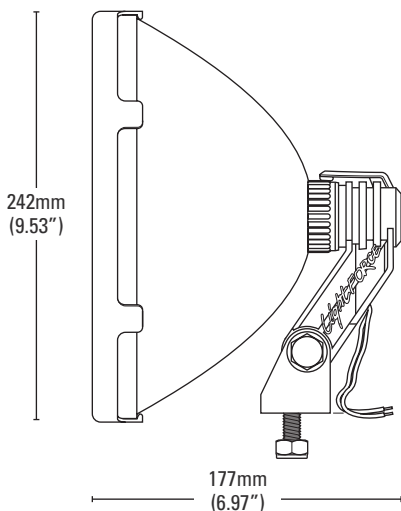
SPECIFICATIONS:

- Current draw: (100W halogen) 9.2 Amps @ 13.2V
- Light output: (100W halogen) 1 Lux @ 994m (pair) | (50W HID) 1 Lux @ 1711m (pair) | (70W HID) 1 Lux @ 2007m (pair)
- Operating temperature -40°C to 63°C (-40°F to 145°F)
- Weight including bracket (single unit) 880g | 1lb 15oz
- Weight including bracket (single unit HID) 1080g | 2.3lb.

OPTIONAL ACCESSORIES:

- Security nut kit (ATNKIT)
- Driving light wiring harness (LFDLH)
- 25mm extension mounts (CBEXT25)
- Assorted modular filters.

DIMENSIONS:



LightFORCE

LIGHTFORCE.COM