

VENOM
REDEFINE THE NIGHT **LED**

USER INSTRUCTIONS

GENESIS
REDEFINE THE NIGHT **LED**

VENOM & GENESIS LED INSTALLATION INSTRUCTIONS

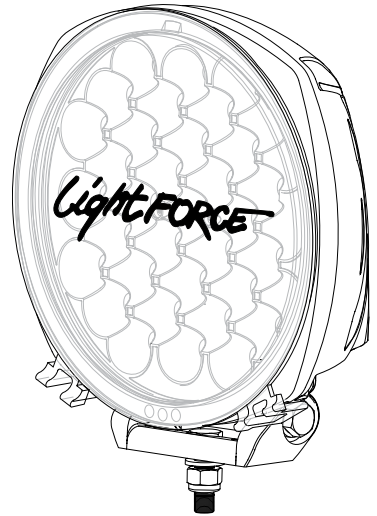
VENOM LED // KIT CONTENTS

- 1 x DL150 Venom LED light
- 1 x Spot filter
- 1 x Bottom mounting bracket (fitted loose to light)
- 2 x M10 x 35mm stainless steel hex bolts with washers and nyloc nuts (side bolts fitted to light)
- 1 x M10 x 35mm stainless steel hex bolt with washer and nyloc nut (fitted to bracket for mounting)
- 1 x 4 pin high current waterproof harness adaptor
- 1 x User instructions



GENESIS LED // KIT CONTENTS

- 1 x DL210 Genesis LED light
- 1 x Spot filter
- 1 x Bottom mounting bracket (fitted loose to light)
- 2 x M10 x 35mm stainless steel hex bolts with washers and nyloc nuts (side bolts fitted to light)
- 1 x M10 x 35mm stainless steel hex bolt with washer and nyloc nut (fitted to bracket for mounting)
- 1 x 4 pin high current waterproof harness adaptor
- 2 x 1/4" x 1 1/4" long UNC stainless steel hex bolt with washer and nut (in bag)
- 1 x User instructions



TOOLS REQUIRED

- 17mm socket on ratchet
- 7/16" socket (optional for DL210 mounting)
- Torque wrench

GENERAL CARE AND SAFETY TIPS

To wash your lights, use plenty of warm soapy water and a soft cloth only (this prevents surfaces from marking). Never use any solvent based cleaners or industrial detergents when cleaning these lights as permanent damage may occur.

PERSONAL SAFETY WARNING

High intensity light source. Do not look directly into the Light during operation, eye injury may result.

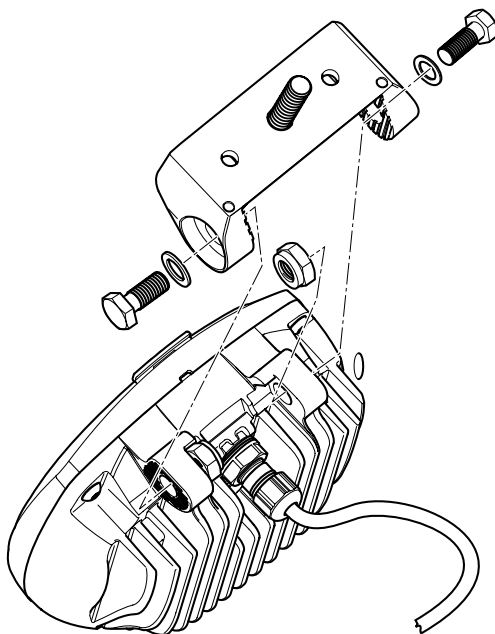
VENOM & GENESIS LED INSTALLATION INSTRUCTIONS

IMPORTANT NOTES

1. Before fitting the stainless steel hardware apply a small amount of anti-seize to the thread of the 35mm mounting bolts.
2. Mounting points vary in design and load capacity, ensure the light is within manufacturers recommended weight specifications before fitment.
3. Failure to correctly mount light may cause damage to light and vehicle

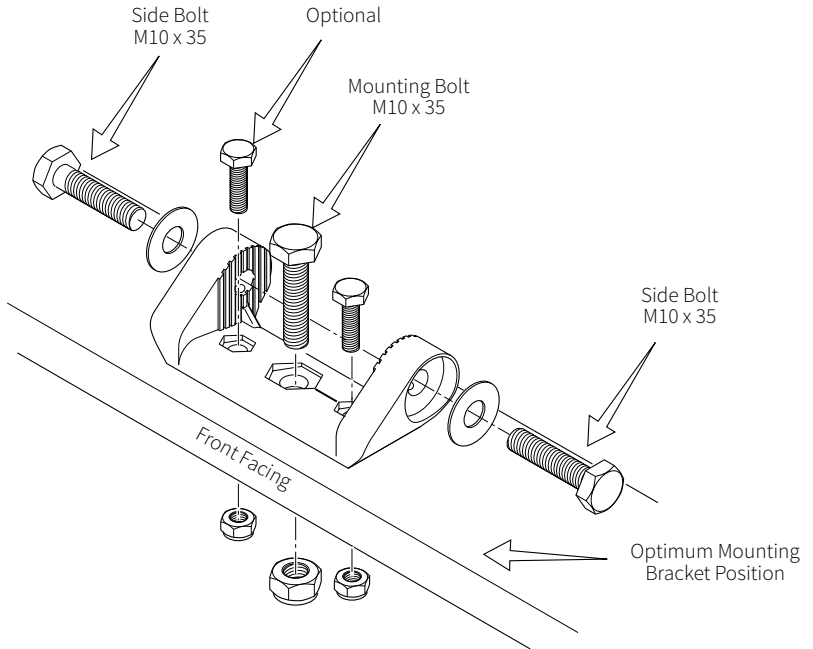
MOUNTING BRACKET

1. Remove nyloc nut and M10 washer from M10 x 35mm bolt attached to the bottom of mounting bracket
2. Locate the bracket in a suitable position using the M10 x 35mm bolt. It is recommended that the base area of the mounting bracket is totally supported
3. Align light to preferred driving position
4. Fit the washer and M10 nyloc then tighten using a 17mm socket & ratchet to specified torque (35Nm)- do not use rattle guns.
5. Tighten 2 x M10 x 35 side bolts to recommended torque (35Nm).



OPTIONAL FOR GENESIS LED

For high vibration environments we recommend fitting the supplied 1/4" x 1 1/4" long UNC stainless steel hex bolts with washers and nuts. Torqued to 8Nm



NOTE When lights are used in extreme environments always re-check torques. The mounting bracket can be rotated 180° degrees, for an additional fitment option.

VENOM & GENESIS LED INSTALLATION INSTRUCTIONS

ELECTRICAL CONNECTIONS

The Xtreme series lights are fitted with a high current waterproof 4 pin electrical connector.

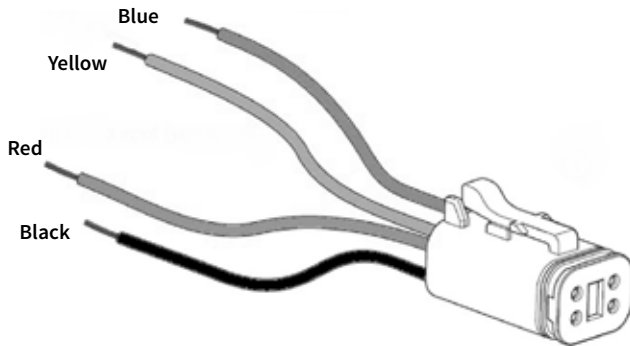
Included in the kit is the mating connector fitted with short lengths of cable for integration with an appropriate wiring harness. i.e. Harness must be capable of 15A per light.

If existing wiring harness is suitable the included connector needs to be fitted directly to your existing driving light circuit.

CONNECTOR WIRE COLOUR IDENTIFICATION

1. **Red:** Positive for full intensity- connect to positive wire on relay / vehicle harness
2. **Black:** Negative - connect to negative (earth)
3. **Blue:** Positive for day time positioning (optional) - connect to ignition signal wire
4. **Yellow:** Positive for night time positioning (optional) - connect to low beam signal wire.

NOTE: To operate night time positioning, ensure *blue* wire is also connected to ignition signal wire.



Warning: Only connect positioning lights in locations where they are legal to use. Please check local laws.

NOTE

For maximum performance, three mode operation and safety we recommend the use of optional wiring harness LFDLHTS – for fitment follow the installation instructions included with the harness.

CAUTION

Improper installation of the connector will affect the reliability and operation of your lights. Do not remove the waterproof connector from the driving light cable; this will lead to water ingress and void warranty.

PLEASE NOTE

Lightforce driving lights are designed to be mounted in the horizontal/forward facing position only.

Pointing the light upwards can cause heat damage to the lens. Failure to comply with this requirement may void warranty.

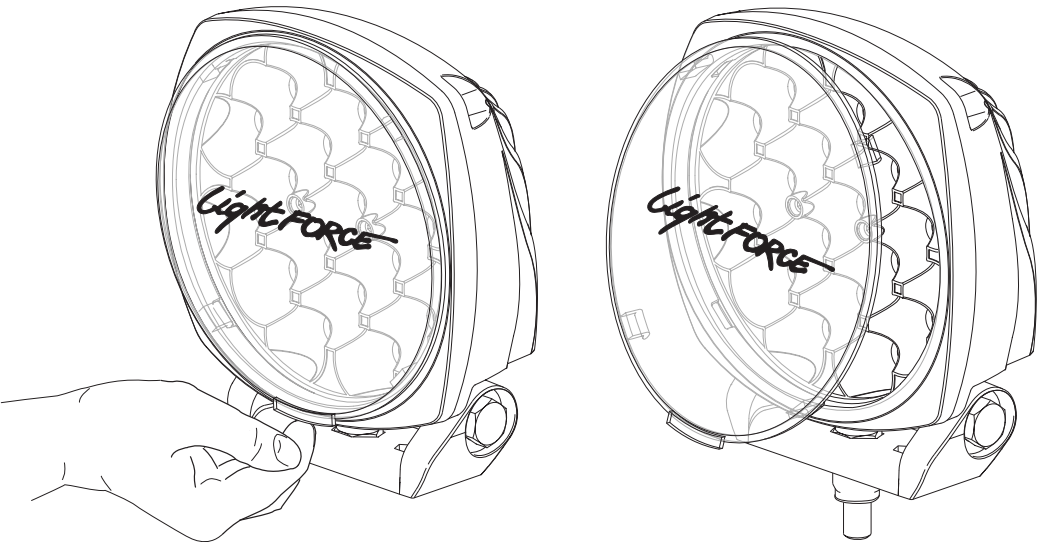
VENOM & GENESIS LED INSTALLATION INSTRUCTIONS

VENOM LED // FILTER REMOVAL

- Filter is held in place by 4 clips.
- Lift tab at bottom of light and pull filter away from bezel releasing the clips.

VENOM LED // FILTER REFITTING

- Insert the filter at the top position
- Push filter onto bezel using filter tab until side clips are engaged
- Ensure filter is correctly aligned within bezel

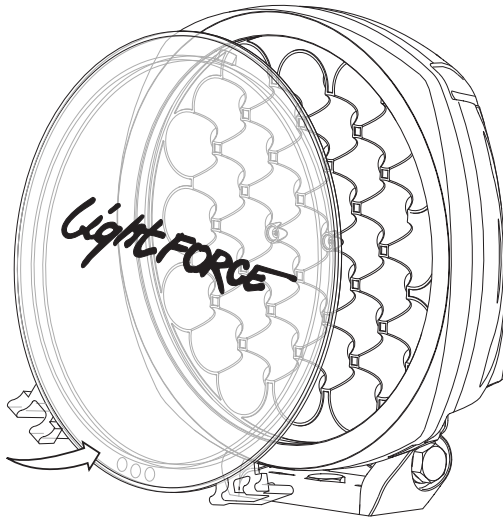


GENESIS LED // FILTER REMOVAL

- Unlock each filter tab from the light by lifting the rear of the tab away from the bezel
- Swing the base of the filter away from the light
- The filter will drop down and away from the light

GENESIS LED // FILTER REFITTING

- Genesis filters have a locating lug at the top and locking tabs at the bottom
- Inset the locating lug into the recess found at the underside of the top of the bezel
- While pushing filter up, push the base of filter in towards the light
- Lock each filter tab in by pushing down on the forward facing lever tabs



VENOM & GENESIS LED INSTALLATION INSTRUCTIONS

VENOM LED // TECHNICAL SPECIFICATIONS

- Power: 75 Watts
- Raw lumens: 7850lm
- Effective lumens: 6800lm
- Input voltage range: 10 – 32V
- Current draw: 5.7 Amps @13.2V
- Colour temperature: 5000K
- LED lifespan: 50,000 hours
- Input cable length: 460mm
- Operating temperature: -40 to 63C
- Weight including bracket: 1.2kg

VENOM LED // FEATURES

- 75W LED within a 150mm housing
- 21 x Lumileds LEDs
- 3 Stage Operation
 - Full intensity
 - Day time positioning
 - Night time positioning
- CISPR25* compliant reducing radio frequency interference
- Cast aluminium housing and bezel
- Hard-wearing UV stable powder coat finish
- Reverse polarity voltage protection
- High current waterproof connectors
- IP69K rated to protect against moisture / contaminant ingress
- Genuine Gore® waterproof membrane with mechanical seal
- Thermal overload protection
- Impact resistant polycarbonate filter
- 3 year warranty

*CISPR25 is the internationally recognised standard covering allowable limits of electromagnetic radiated and conducted interference for components installed in vehicles

GENESIS LED // TECHNICAL SPECIFICATIONS

- Power: 140 Watts
- Raw lumens: 13850lm
- Effective lumens: 12000lm
- Input voltage range: 10 – 32V
- Current draw: 10.5 Amps @13.2V
- Colour temperature: 5000K
- LED lifespan: 50,000 hours
- Input cable length: 460mm
- Operating temperature: -40 to 63C
- Weight including bracket: 2.4kg

GENESIS LED // FEATURES

- 140W LED within a 210mm housing
- 37 x Lumileds LEDs
- 3 Stage Operation
 - Full intensity
 - Day time positioning
 - Night time positioning
- CISPR25* compliant reducing radio frequency interference
- Cast aluminium housing and bezel
- Hard-wearing UV stable powder coat finish
- Reverse polarity voltage protection
- High current waterproof connectors
- IP69K rated to protect against moisture / contaminant ingress
- Genuine Gore® waterproof membrane with mechanical seal
- Thermal overload protection
- Impact resistant polycarbonate filter
- 3 year warranty

FASTENER TORQUE SPECIFICATIONS

M10 x 35mm bottom and side mount
bolt - 35Nm (26lb-ft)

1/4" x 1 1/4" long UNC stainless steel hex
bolts - 8Nm (6lb-ft)

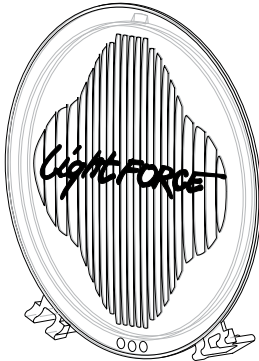
RECOMMENDED WIRE SIZE

1.25mm² (AWG 16) minimum per circuit

VENOM & GENESIS LED OPTIONAL ACCESSORIES

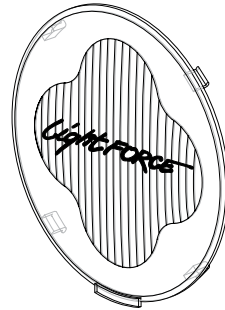
DRIVING LIGHT FILTERS

Durable polycarbonate covers should remain fitted to driving lights at all times. Capable of absorbing road grime and bombardment for many years. These replaceable covers should be renewed from time to time to protect your investment and maintain maximum beam output. Your Venom LED & Genesis LED lights come standard with spot filters. Clear combo filters are used to change the beam pattern.



Genesis LED 210mm – clear combo
(Part No. F210CC)

When a pair of Genesis LED driving lights are fitted with clear combo filters the beam pattern will spread to *120m wide @ 250m along the road



Venom LED 150mm – clear combo
(Part No. F150CC)

When a pair of Venom LED driving lights fitted with clear combo filters the beam pattern will spread to *120m wide @ 230m along the road

ALSO AVAILABLE

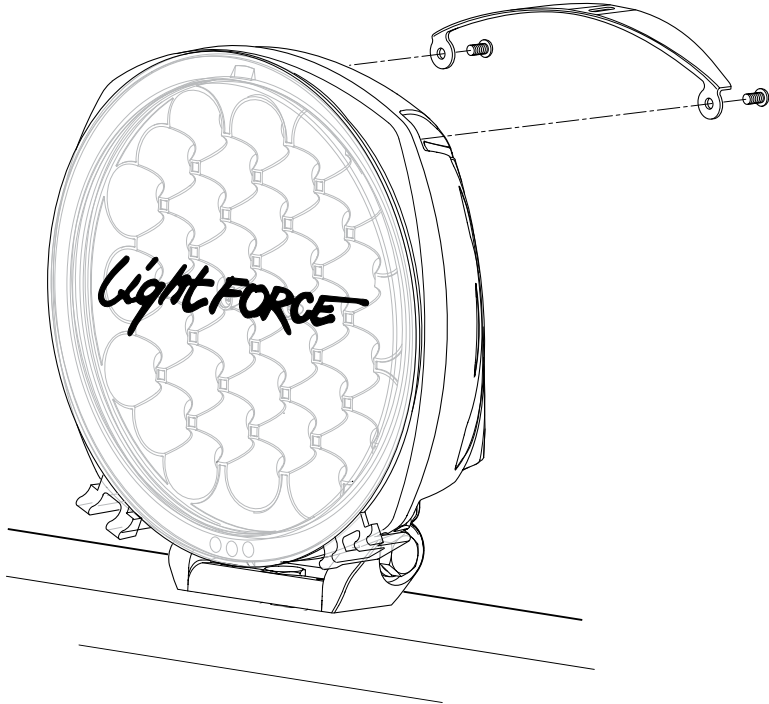
- Crystal blue filters are used to increase clarity when driving.
- Amber filters are used to enhance vision when off-road driving through haze and dust
- Yellow filters are used to enhance vision in fog, haze and dust.

*Independently tested in approved NATA laboratory. National Association of Testing Authorities Accredited, Australia 2016. Photometric testing performed by Photometric Solutions International Pty Ltd (PSI) Huntingdale VIC September 2016

GENESIS LED TOP STAY BRACKET

(Part No. DL210TSB)

Your Genesis LED light can be used with an upper stay bracket for increased mounting rigidity.



NOTE

This is recommend when using lights in high vibration environments

VENOM & GENESIS LED OPTIONAL ACCESSORIES

LED XTREME SERIES CROSS BOLT SECURITY FASTENER KIT

The simple to install security bolts and nuts will help protect your investment against opportunist light fingered thieves. (Part No. ATNSG2)

This kit contains 4 x M10 x 35mm anti-theft bolts plus 2 x M10 security nuts for the mounting bolts, both with corresponding coded keys requiring a 17mm, 11/16" spanner.

For use with the LED Xtreme Series driving lights

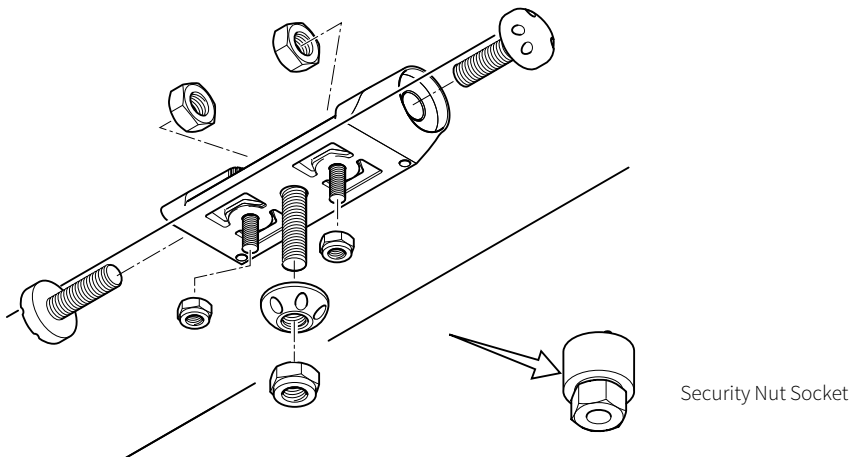
SECURING LIGHT TO MOUNTING BRACKET - replace the 4 standard M10 bolts

- Remove the standard M10 bolts and washers from each side of the mounting bracket and fit the anti-theft bolts, reusing the existing washers. Each bolt is 35mm in length exclusively designed for use with the Genesis and Venom LED driving lights

SECURING MOUNTING BRACKET TO VEHICLE – replace standard nyloc nuts

- Remove the standard M10 nyloc nut and replace with anti-theft nyloc nuts as per diagram

All bolts are machined from 304 stainless steel. The key will only fit the anti-theft bolts/nuts in one position. Coded key is machined from steel with zinc protective coating. Lubricate the new bolts before fitment



ORDER CODE	DESCRIPTION
ACCESSORIES	
LFDLHTS	Driving light harness 12V 4 pin, 3 stage switch operation with waterproof connectors. Suits DL150/DL210
ATNSG2	Safeguard Anti-theft security lock set suits Venom LED & Genesis LED - kit includes 4 x 35mm bolts, 2 nuts and 1 key
DL210MB	Replacement mounting base for Genesis and Venom LED lights inc hardware
VENOM LED	
F150CB	Venom LED 150mm – crystal blue
F150A	Venom LED 150mm - amber
F150CC	Venom LED 150mm – clear combo
GENESIS LED	
DL210TSB	210mm Genesis LED top stay bracket
FC210C	Genesis 210mm – clear spot
F210CC	Genesis 210mm – clear combo
F210WC	Genesis 210mm – clear wide
F210CB	Genesis 210mm – crystal blue spot
F210CCB	Genesis 210mm – crystal blue combo
F210 WCB	Genesis 210mm – crystal blue wide
F210Y	Genesis 210mm – yellow spot
F210WY	Genesis 210mm – yellow wide
CBF210A	Genesis 210mm – amber spot

WARRANTY

AUSTRALIA

“Lightforce” means Lightforce Australia Pty Ltd ABN 54 069 439 774 Address: 11 Manton Street, Hindmarsh, SA, 5007. Telephone:+61 8 8440 0888. Email Address: sales@lightforce.net.au

“Lightforce Affiliates” means Lightforce, Lightforce’s related bodies corporate (within the meaning of the Corporations Act 2001), and their respective employees, officers, agents and contractors.

“Warranty Period” means:

(a) For Lightforce products (excluding bulbs and batteries, Custom Built products and mounts and Ace Precision Rifle Systems products) manufactured in Australia and sold either in Australia or overseas, three (3) years from the date of purchase specified on your sales receipt or invoice unless otherwise notified by Lightforce in writing prior to or at the date of purchase;

(b) For

1. Lightforce products and accessories manufactured outside, but imported into, Australia; and
2. Custom Built products and mounts (wherever manufactured);
3. Sold in Australia or overseas (but in each case excluding bulbs and batteries, and Ace Precision Rifle Systems products), one (1) year from the date of purchase specified on your sales receipt or invoice unless otherwise notified by Lightforce in writing prior to or at the date of purchase.

WHAT THIS WARRANTY COVERS

Lightforce warrants that it will, at its option, replace or repair each product that you purchase which, during the warranty period, has a defect in materials or workmanship under normal use and conditions

STATUTORY RIGHTS

Our products come with guarantees that cannot be excluded under the Australian Consumer Law. You are entitled to a replacement or refund for a major failure and compensation for any other reasonably foreseeable loss or damage. You are also entitled to have the products repaired or replaced if the products fail to be of acceptable quality and the failure does not amount to a major failure.

In addition, the benefits given by this warranty are in addition to your rights and remedies under a law in relation to the products.

REPLACEMENT OF A PRODUCT OR PARTS

When warranty service involves the replacement of a product or a part, the replaced product or part becomes Lightforce's property. Only unaltered Lightforce products and parts are eligible for replacement. The replacement product or part is warranted for the balance of the period remaining on the original product. Products and parts presented for repair may be replaced by refurbished product or parts of the same type rather than being repaired or replaced with new parts.

WARRANTY

PROCEDURE FOR CLAIMING

Australia: Make contact with the Lightforce sales office at the above address. We will attempt to resolve the issue over the phone, or we may issue a warranty case notice to arrange return of the product for assessment. Lightforce will not be able to perform our service under this warranty if you refuse to return the product to us for inspection.

Claims in respect of defects covered by this warranty must be made as soon as possible after such defect becomes apparent and, in any event, not later than thirty (30) days after the end of the Warranty Period.

International: Contact the point of purchase for warranty service

COST OF CLAIMING

Under this warranty and, unless Lightforce otherwise agrees in writing, you bear the cost of claiming under this warranty including the cost of returning the product to Lightforce.

Under this warranty, Lightforce is responsible for loss or damage to your product only while it is in the possession of Lightforce Affiliates.

USE OF PERSONAL INFORMATION

This warranty will not apply if you do not supply to us or to our Lightforce Affiliates information that we reasonably request to enable us to perform our obligations under this warranty. You have the right to access your personal contact information and request correction of any errors in it pursuant to the Privacy Act 1988 by contacting Lightforce.

WARNING

Only connect positioning lights in locations where legal to use. Please check local laws.
For maximum performance please inspect wiring loom, mounts and retighten bolts every 10,000 Km.



Lightforce Australia Pty Ltd

11 Manton Street, Hindmarsh SA 5007 AUSTRALIA

P: +61 8 8440 0888

F: +61 8 8346 0504

www.lightforce.com